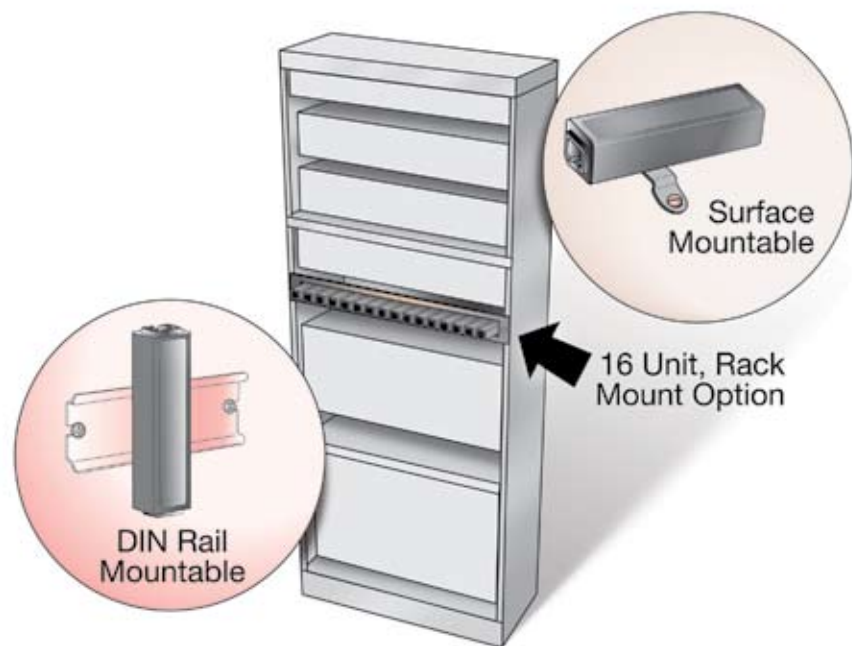


Data Protection Rack; Single DIN, Panel or Rack Mountable Protector

Transtector's DPR Series is engineered for high performance, compact versatile surge protection of GigE, POE, 10/100BT, T1/E1 and DSL equipment. The individual modules can stand alone units that are an inline component and can either be mounted to a wall or DIN rail (clip included and functions as ground connector). Configured in the 19" rack chassis, the array of 16 modules act also as a cross connect. For the ultimate in scalability and reliability, Transtector's non degrading, high performance advanced surge protection devices are the answer.

Applications

- GigE
- POE
- 10/100BT
- T1/E1
- DSL



DPR Versatility



Configurations

DPR Model	GigE	10/100BT	T1/E1	xDSL	POE-60V
Data Rate	1000 Mb/s	100 Mb/s	1.544 - 2.048 Mb/s	6.312 Mb/s	100 Mb/s
Operating Voltage	3.3V	5V	3V		48V
MCOV	6Vpeak			5.5Vpeak	60Vpeak
Connector	RJ45 Cat5		RJ45 Cat5	RJ48 Cat5	RJ45 Cat5
Surge Suppression	<22Vpk@100A 2/10μ		<25Vpk@100A 10/1000μ		<75Vpk@100A 10/1000μ
Operating Temperature	-40° C to +75 ° C				
Humidity	99% non-condensed				
Mounting	DIN, rack or wall				
Housing	1000-1206 16 Module 19" Rack				
Indoor/Outdoor	Indoor				
Part Number	1101-882	1101-828	1101-830	1101-829	1101-905

Dimensions:

Chassis

1.7" H X 19" W X 3.7" D
4.3 cm X 48.3 cm X 9.4 cm

Individual Protector Units

0.9" H X 1" W X 3.7" D
2.3 cm X 9.4 cm X 2.5 cm

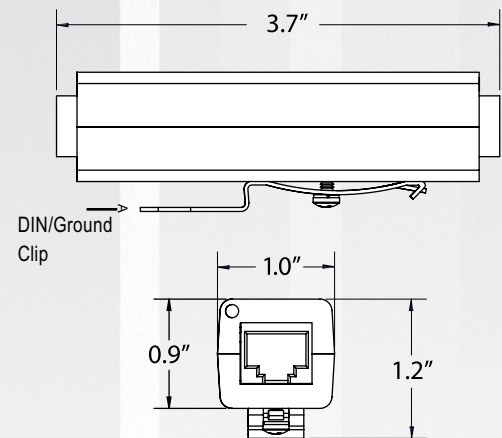
Features

- Leadless non-degrading silicon technology
- Secondary protection
- Inline, wall, rack or DIN mountable
- Modular, mixed signal

Warranty

Five (5) year unconditional warranty
Ten (10) year manufacturer's warranty

Installation



Applicable Standards

- GR-1089-2006
- ITU 703
- IEEE 802.3

