

6

5

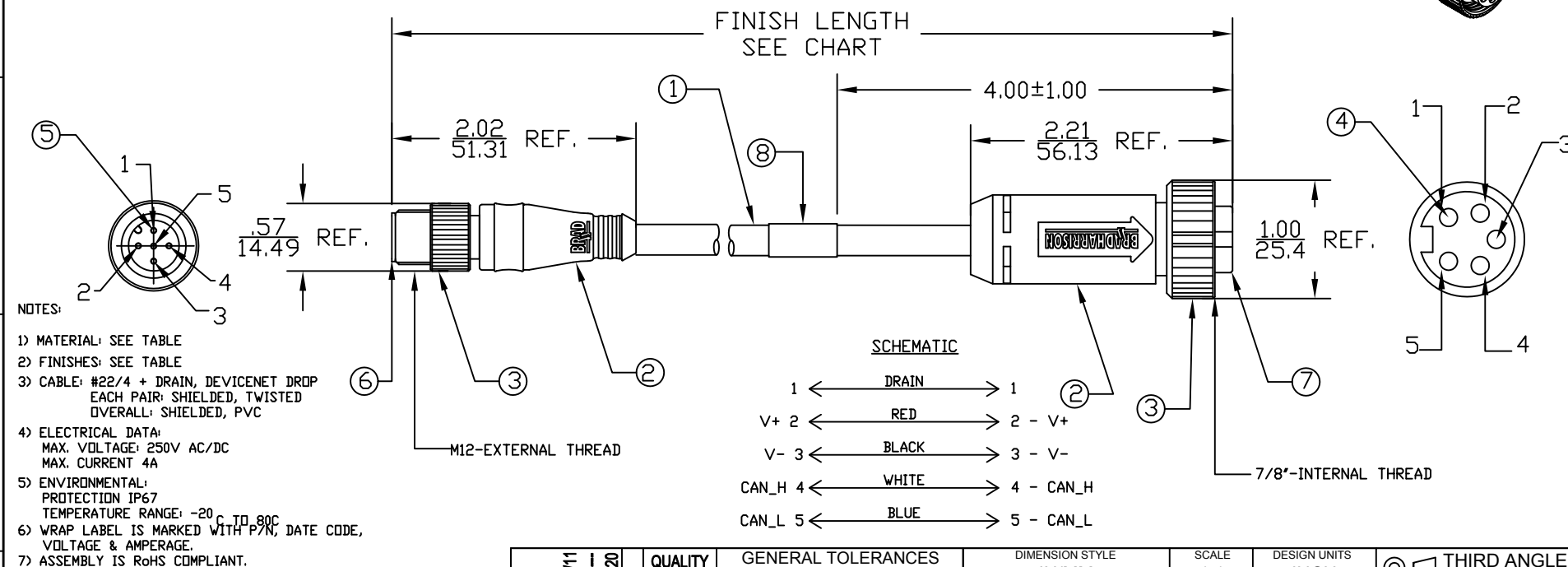
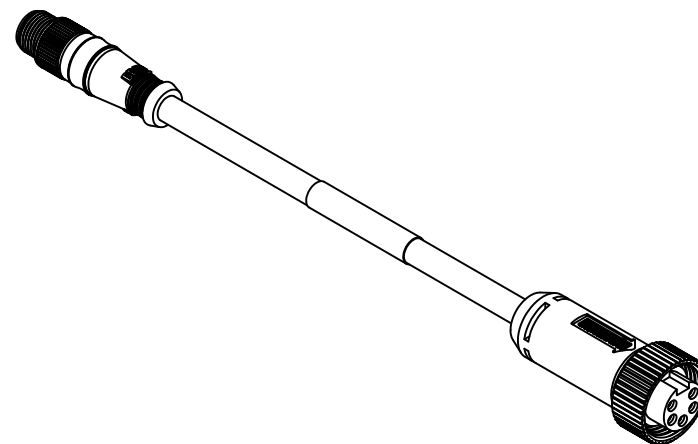
4

3

2

1

MATERIAL NUMBER	ENGINEERING NUMBER	FINISHED LENGTH
1300390143	DND12A-M003	.98' +.75" -0 [1.3M +19.1 -0]
1300390144	DND12A-M005	1.64' +1.75" -0 [1.5M +44.5 -0]
1300390145	DND12A-M010	3.28' +2.19" -0 [1.0M +55.6 -0]
1300390146	DND12A-M020	6.56' +3.50" -0 [2.0M +88.9 -0]
1300390147	DND12A-M030	9.84' +3.50" -0 [3.0M +88.9 -0]
1300390148	DND12A-M040	13.12' +6.50" -0 [4.0M +165.1 -0]
1300390149	DND12A-M050	16.40' +6.50" -0 [5.0M +165.1 -0]
1300390150	DND12A-M060	19.69' +6.50" -0 [6.0M +165.1 -0]
1300390029	DND12A-M080	26.25' +12.50" -0 [8.0M +317.5 -0]
1300390030	DND12A-M100	32.81' +12.50" -0 [10.0M +317.5 -0]
1300390031	DND12A-M130	42.651' +12.50" -0 [13.0M +317.5 -0]



ITEM	QTY.	DESCRIPTION	MATERIAL	FINISH
8	1	LABEL	PLASTIC FILM	BLACK/YELLOW
7	1	INSERT(MIND)	PVC	GREY
6	1	INSERT(MICRO)	NYLON	BLACK
5	5	PIN CONTACT	COPPER ALLOY	GOLD PLATED
4	5	SOCKET CONTACT	COPPER ALLOY	GOLD PLATED
3	2	COUPLING NUT	ZINC DIE-CAST	BLACK
2	1	OVERMOLD	PVC	GRAY
1	1	DEVICENET DROP CABLE	PVC JACKET	GRAY

RELEASE	EC NO: WNA2010-0410	QUALITY SYMBOLS
	DRWN: TWOLDEGE 2010/01/11	
A	CHKD: BWOODMAN	$\nabla = 0$ $\nabla C = 0$
	APPR: JFMURPHY 2010/01/20	

GENERAL TOLERANCES (UNLESS SPECIFIED)	
	IN/MM
4 PLACES	±---
3 PLACES	±0.05
2 PLACES	±0.13 ±0.10
1 PLACE	±0.25 ±0.20
ANGULAR ±1/2°	
DRAFT WHERE APPLICABLE MUST REMAIN WITHIN DIMENSIONS	

DIMENSION STYLE	
IN/MM	
DRAWN BY	DATE
CHECKED BY	DATE
APPROVED BY	DATE
JFMURPHY	2010/01/20
MATERIAL NO.	
SEE CHART	
SIZE	
A	

SCALE	DESIGN UNITS	THIRD ANGLE PROJECTION
1:1	INCH	
MINRO/MIN CHANGE D-NET 5P MA/FE ST/ST DROP 22/4AWG +DRAIN GREY PVC		
MOLEX INCORPORATED		SHEET NO. 1 OF 1
DOCUMENT NO. SD-130039-018		
THIS DRAWING CONTAINS INFORMATION THAT IS PROPRIETARY TO MOLEX INCORPORATED AND SHOULD NOT BE USED WITHOUT WRITTEN PERMISSION		

6

5

4

3

2

1